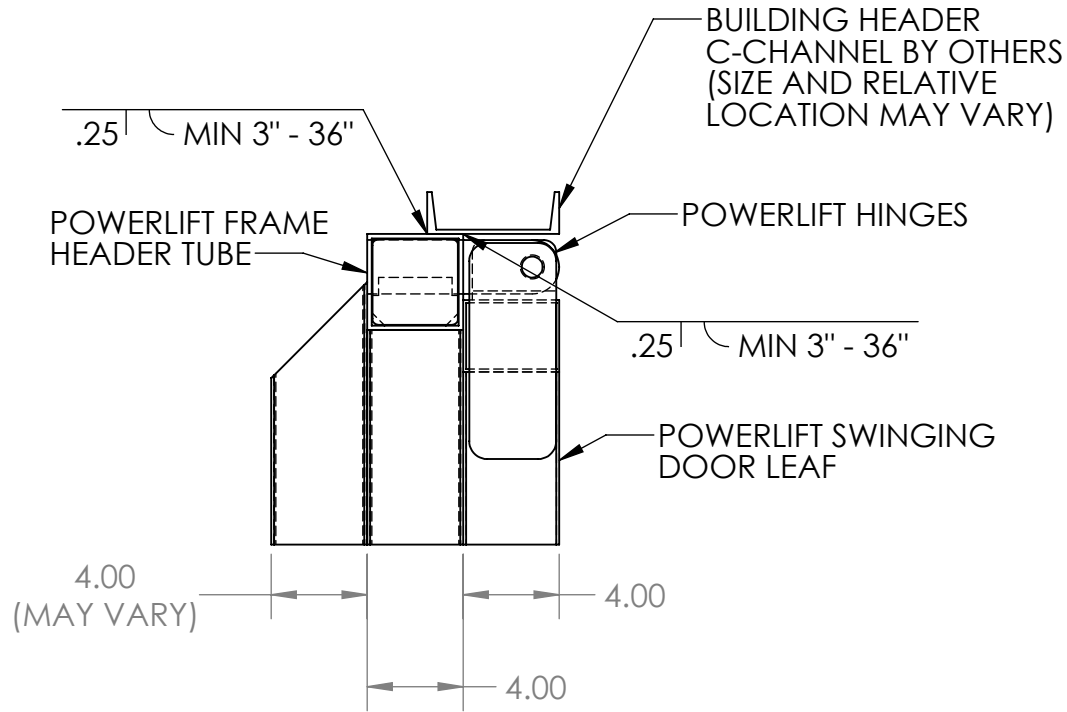
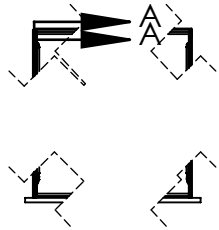


Monday, September 12, 2022 2:48:19 PM

# POWERLIFT JUNIORPLUS HEAD DETAIL (C-CHANNEL BUILDING HEAD MEMBER)



SECTION A-A  
SCALE 1 : 8

**PROPRIETARY AND CONFIDENTIAL**

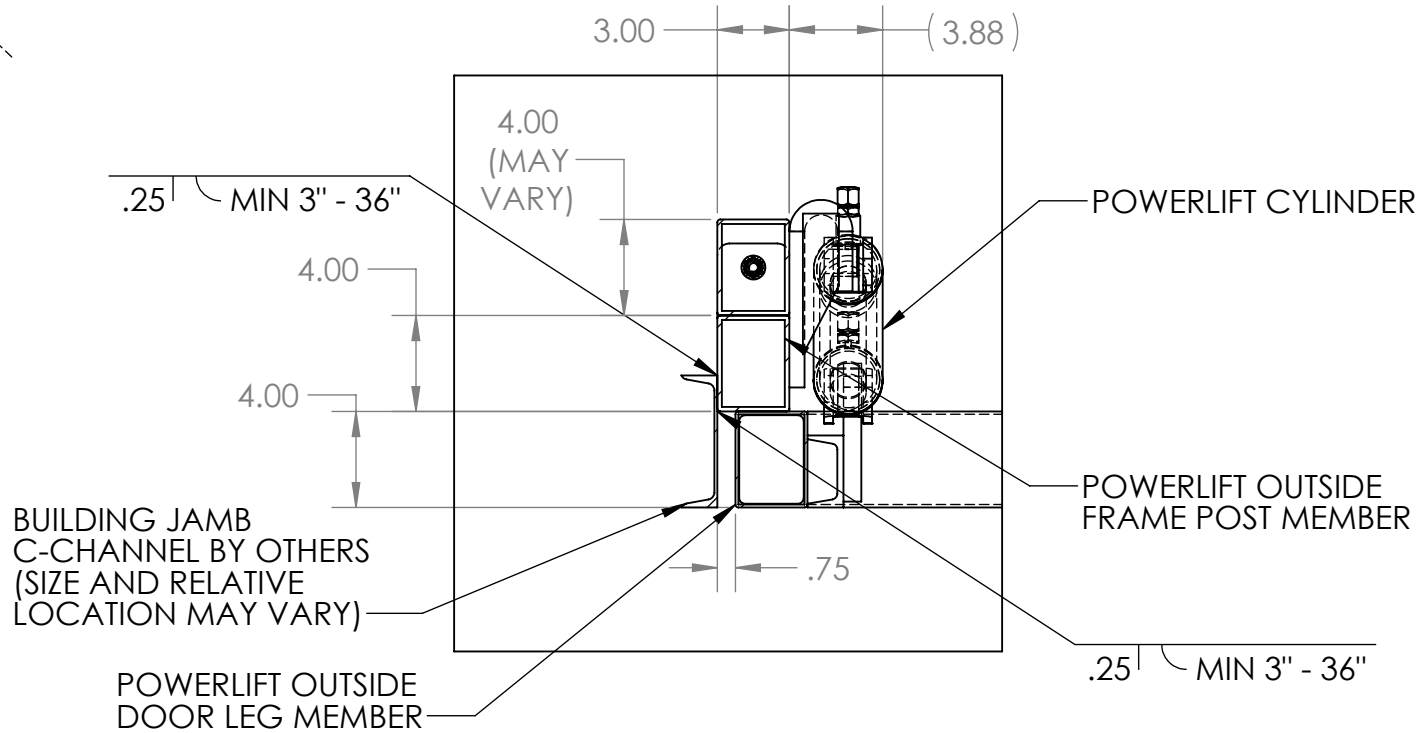
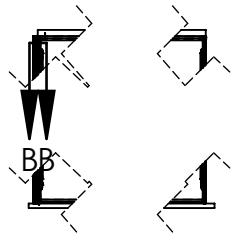
THE INFORMATION CONTAINED IN THIS DRAWING IS THE SOLE PROPERTY OF POWERLIFT DOORS. ANY REPRODUCTION IN PART OR AS A WHOLE WITHOUT THE WRITTEN PERMISSION OF POWERLIFT DOORS IS PROHIBITED.



		UNLESS OTHERWISE SPECIFIED:		NAME	DATE	Part Number
		DIMENSIONS ARE IN INCHES	DRAWN			TITLE: <b>C-Channel Jamb and Header</b>
		TOLERANCES:	CHECKED			
		FRACTIONAL ±	ENG APPR.			
		ANGULAR: MACH ± BEND ±	MFG APPR.			
		TWO PLACE DECIMAL ±	Q.A.			
		THREE PLACE DECIMAL ±	COMMENTS:			SIZE <b>A</b> Door Type(s) JuniorPlus
		INTERPRET GEOMETRIC TOLERANCING PER: ASME Y14. 5-2009				REV A
		MATERIAL ASTM A36, ASTM A500B				SCALE: 1:25 WEIGHT: 2099.36 SHEET 1 OF 3
	NEXT ASSY	USED ON				
	APPLICATION		DO NOT SCALE DRAWING			

Monday, September 12, 2022 2:48:19 PM

# POWERLIFT JUNIORPLUS JAMB DETAIL (C-CHANNEL BUILDING JAMB MEMBER)



SECTION B-B  
SCALE 1 : 8

**PROPRIETARY AND CONFIDENTIAL**

THE INFORMATION CONTAINED IN THIS DRAWING IS THE SOLE PROPERTY OF POWERLIFT DOORS. ANY REPRODUCTION IN PART OR AS A WHOLE WITHOUT THE WRITTEN PERMISSION OF POWERLIFT DOORS IS PROHIBITED.



		UNLESS OTHERWISE SPECIFIED:		NAME	DATE
		DIMENSIONS ARE IN INCHES	DRAWN		
		TOLERANCES:	CHECKED		
		FRACTIONAL ±	ENG APPR.		
		ANGULAR: MACH ± BEND ±	MFG APPR.		
		TWO PLACE DECIMAL ±	Q.A.		
		THREE PLACE DECIMAL ±	COMMENTS:		
		INTERPRET GEOMETRIC TOLERANCING PER: ASME Y14. 5-2009			
		MATERIAL			
		ASTM A36, ASTM A500B			
		FINISH			
NEXT ASSY	USED ON				
	APPLICATION	DO NOT SCALE DRAWING			

Part Number		
TITLE: <b>C-Channel Jamb and Header</b>		
SIZE	Door Type(s)	REV
<b>A</b>	JuniorPlus	<b>A</b>
SCALE: 1:25 WEIGHT: 2099.36 SHEET 2 OF 3		

B

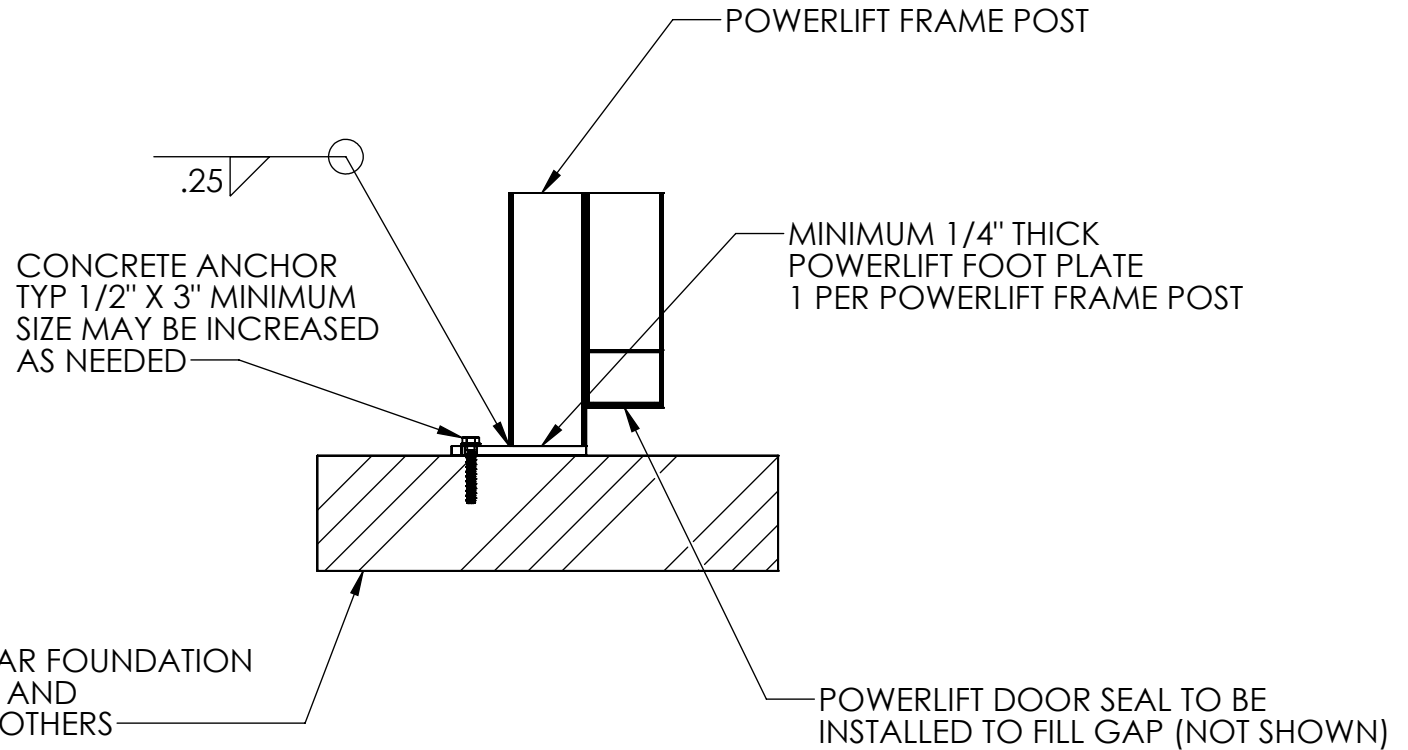
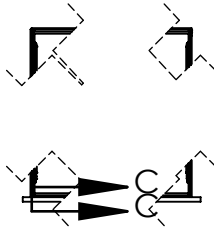
B

A

A

Monday, September 12, 2022 2:48:19 PM

# POWERLIFT JUNIORPLUS SILL DETAIL



SECTION C-C  
SCALE 1 : 10

**PROPRIETARY AND CONFIDENTIAL**

THE INFORMATION CONTAINED IN THIS DRAWING IS THE SOLE PROPERTY OF POWERLIFT DOORS. ANY REPRODUCTION IN PART OR AS A WHOLE WITHOUT THE WRITTEN PERMISSION OF POWERLIFT DOORS IS PROHIBITED.



		UNLESS OTHERWISE SPECIFIED:		NAME	DATE	Part Number
		DIMENSIONS ARE IN INCHES		DRAWN		TITLE: C-Channel Jamb and Header
		TOLERANCES:		CHECKED		
		FRACTIONAL ±		ENG APPR.		
		ANGULAR: MACH ± BEND ±		MFG APPR.		
		TWO PLACE DECIMAL ±		Q.A.		SIZE
		THREE PLACE DECIMAL ±		COMMENTS:		Door Type(s)
		INTERPRET GEOMETRIC TOLERANCING PER: ASME Y14. 5-2009				JuniorPlus
		MATERIAL				REV
		ASTM A36, ASTM A500B				A
		FINISH				
NEXT ASSY	USED ON					
APPLICATION		DO NOT SCALE DRAWING				

SIZE	Door Type(s)	REV
<b>A</b>	JuniorPlus	A
SCALE: 1:25 WEIGHT: 2099.36 SHEET 3 OF 3		