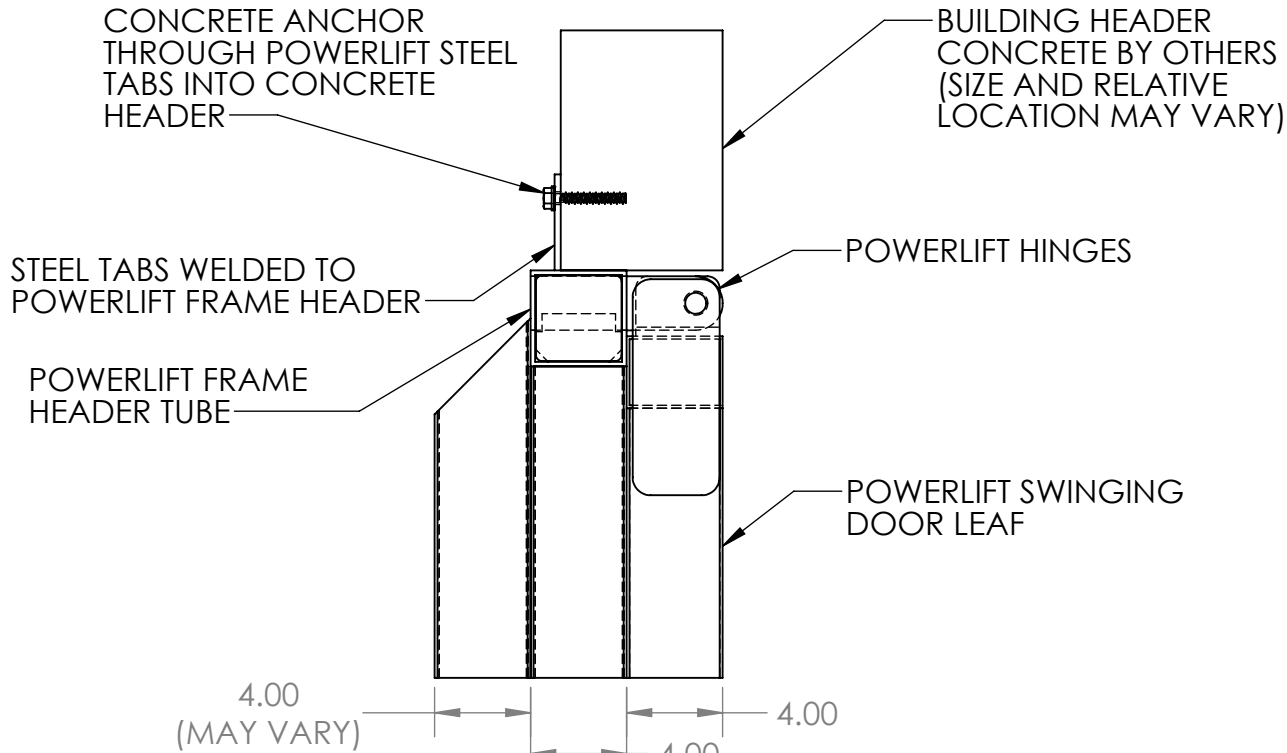
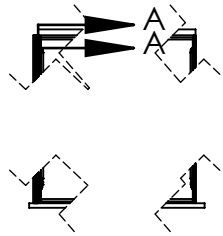


Monday, September 12, 2022 3:58:30 PM

POWERLIFT JUNIORPLUS HEAD DETAIL (CONCRETE BUILDING HEAD MEMBER)



SECTION A-A
SCALE 1 : 8

PROPRIETARY AND CONFIDENTIAL

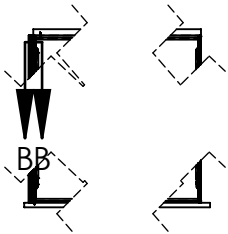
THE INFORMATION CONTAINED IN THIS DRAWING IS THE SOLE PROPERTY OF POWERLIFT DOORS. ANY REPRODUCTION IN PART OR AS A WHOLE WITHOUT THE WRITTEN PERMISSION OF POWERLIFT DOORS IS PROHIBITED.



		UNLESS OTHERWISE SPECIFIED:		NAME	DATE	Part Number
		DIMENSIONS ARE IN INCHES		DRAWN		TITLE: Concrete Jamb and Header
		TOLERANCES:		CHECKED		
		FRACTIONAL ±		ENG APPR.		
		ANGULAR: MACH ± BEND ±		MFG APPR.		
		TWO PLACE DECIMAL ±		Q.A.		
		THREE PLACE DECIMAL ±		COMMENTS:		SIZE
		INTERPRET GEOMETRIC TOLERANCING PER: ASME Y14. 5-2009				Door Type(s)
		MATERIAL				JuniorPlus
		ASTM A36, ASTM A500B				REV
		FINISH				A
NEXT ASSY	USED ON					SCALE: 1:25
	APPLICATION	DO NOT SCALE DRAWING				WEIGHT: 2238.49 SHEET 1 OF 3

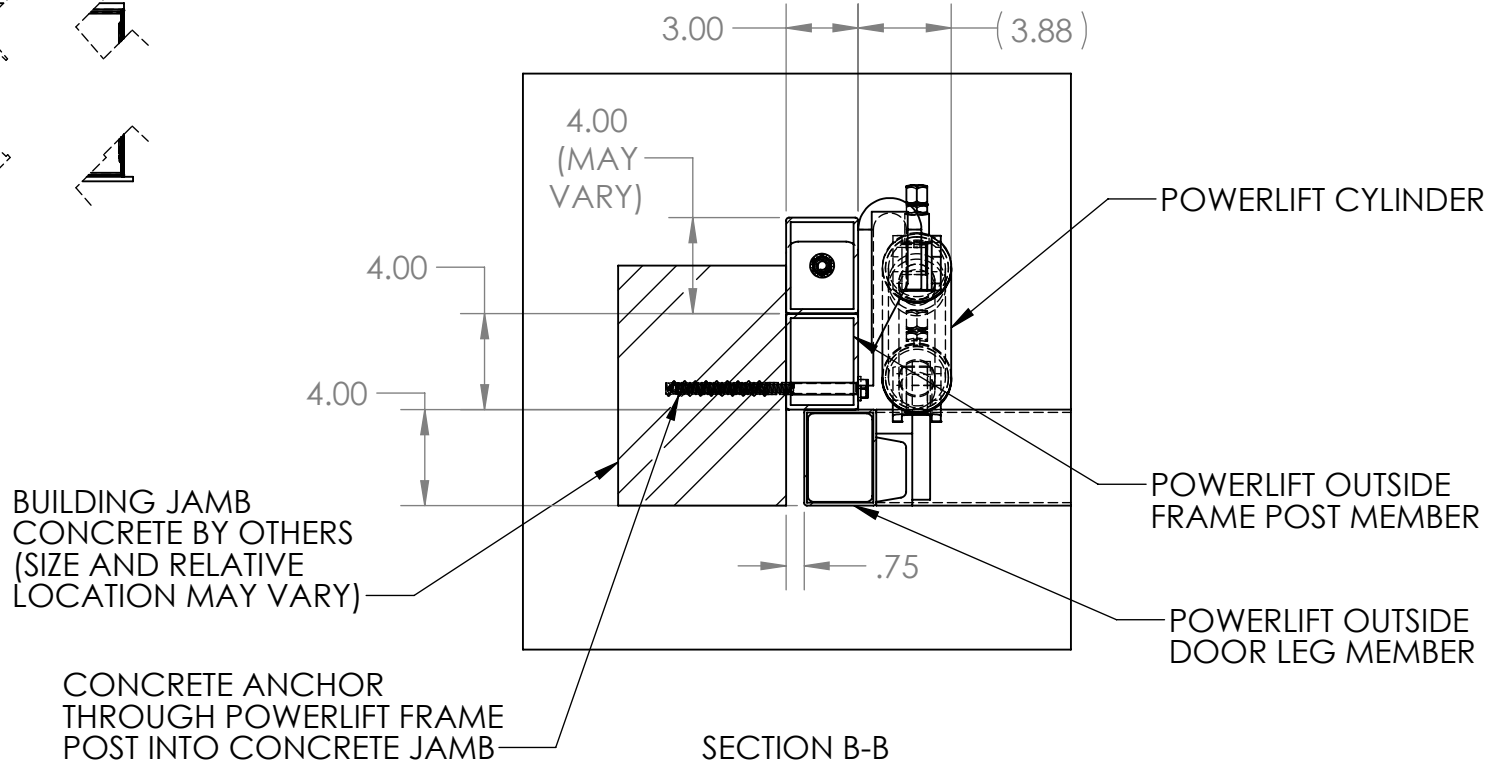
Monday, September 12, 2022 3:58:30 PM

POWERLIFT JUNIORPLUS JAMB DETAIL (CONCRETE BUILDING JAMB MEMBER)



B

B



SECTION B-B
SCALE 1 : 8

PROPRIETARY AND CONFIDENTIAL

THE INFORMATION CONTAINED IN THIS DRAWING IS THE SOLE PROPERTY OF POWERLIFT DOORS. ANY REPRODUCTION IN PART OR AS A WHOLE WITHOUT THE WRITTEN PERMISSION OF POWERLIFT DOORS IS PROHIBITED.



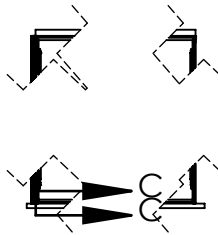
		UNLESS OTHERWISE SPECIFIED:	NAME	DATE	Part Number
		DIMENSIONS ARE IN INCHES	DRAWN		TITLE: Concrete Jamb and Header
		TOLERANCES:	CHECKED		
		FRACTIONAL ±	ENG APPR.		
		ANGULAR: MACH ± BEND ±	MFG APPR.		
		TWO PLACE DECIMAL ±	Q.A.		
		THREE PLACE DECIMAL ±	COMMENTS:		SIZE Door Type(s) JuniorPlus REV A
NEXT ASSY	USED ON	MATERIAL ASTM A36, ASTM A500B			
		FINISH			
APPLICATION		DO NOT SCALE DRAWING	SCALE: 1:25 WEIGHT: 2238.49 SHEET 2 OF 3		

A

A

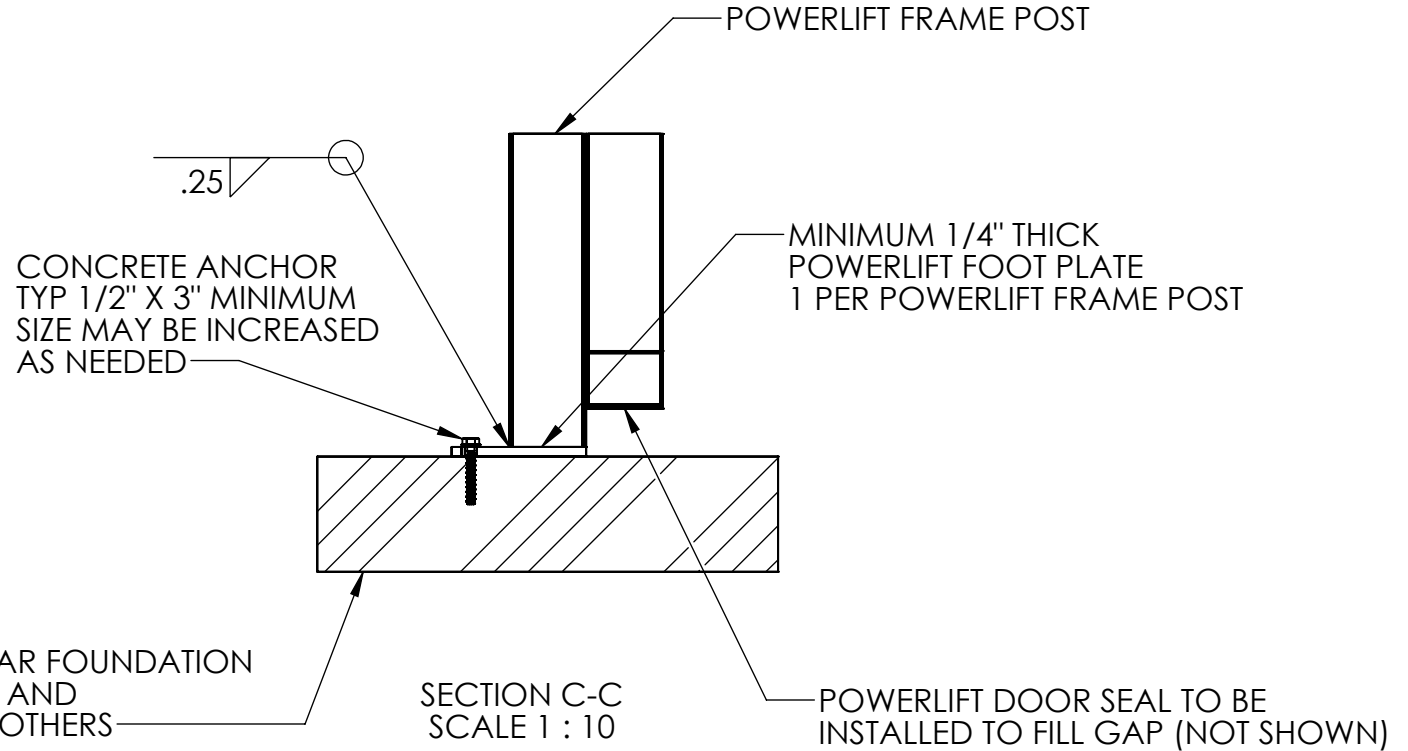
Monday, September 12, 2022 3:58:30 PM

POWERLIFT JUNIORPLUS SILL DETAIL



B

B



A

A

PROPRIETARY AND CONFIDENTIAL

THE INFORMATION CONTAINED IN THIS DRAWING IS THE SOLE PROPERTY OF POWERLIFT DOORS. ANY REPRODUCTION IN PART OR AS A WHOLE WITHOUT THE WRITTEN PERMISSION OF POWERLIFT DOORS IS PROHIBITED.



		UNLESS OTHERWISE SPECIFIED:		NAME	DATE	Part Number
		DIMENSIONS ARE IN INCHES		DRAWN		TITLE: Concrete Jamb and Header
		TOLERANCES:		CHECKED		
		FRACTIONAL ±		ENG APPR.		
		ANGULAR: MACH ± BEND ±		MFG APPR.		
		TWO PLACE DECIMAL ±		Q.A.		SIZE
		THREE PLACE DECIMAL ±		COMMENTS:		Door Type(s)
		INTERPRET GEOMETRIC TOLERANCING PER: ASME Y14. 5-2009				JuniorPlus
		MATERIAL				REV
		ASTM A36, ASTM A500B				A
		FINISH				SCALE: 1:25
NEXT ASSY	USED ON					WEIGHT: 2238.49
						SHEET 3 OF 3
APPLICATION		DO NOT SCALE DRAWING				