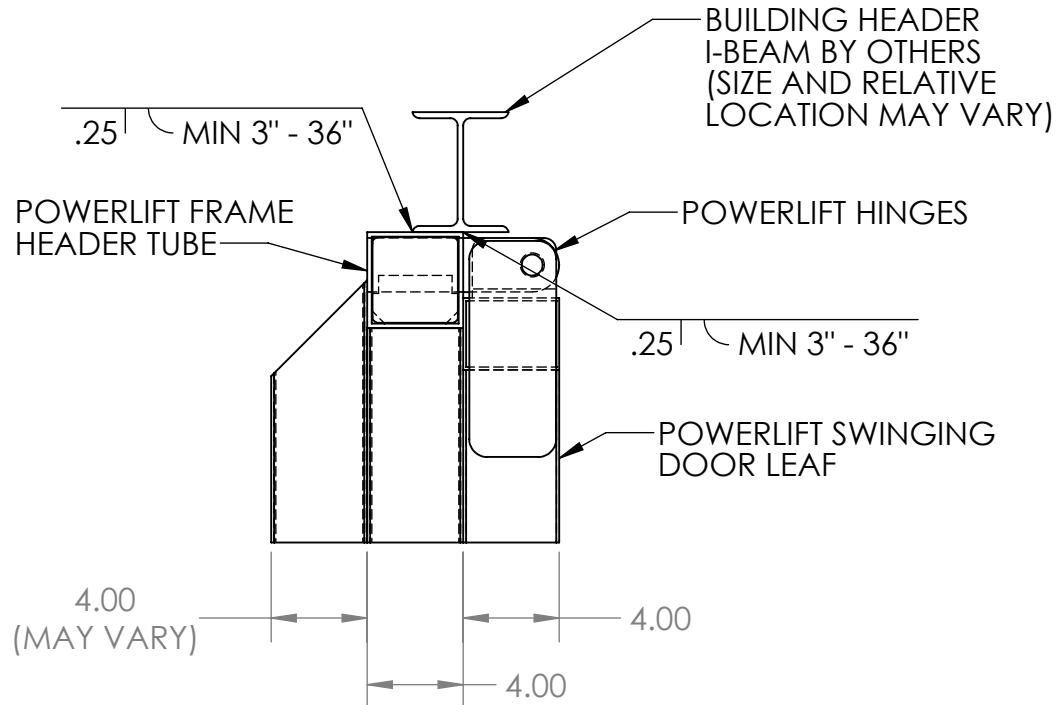
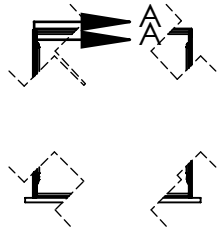


Monday, September 12, 2022 2:58:01 PM

POWERLIFT JUNIORPLUS HEAD DETAIL (I-BEAM BUILDING HEAD MEMBER)



SECTION A-A
SCALE 1 : 8

PROPRIETARY AND CONFIDENTIAL

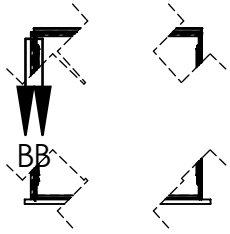
THE INFORMATION CONTAINED IN THIS DRAWING IS THE SOLE PROPERTY OF POWERLIFT DOORS. ANY REPRODUCTION IN PART OR AS A WHOLE WITHOUT THE WRITTEN PERMISSION OF POWERLIFT DOORS IS PROHIBITED.



		UNLESS OTHERWISE SPECIFIED:		NAME	DATE	Part Number
		DIMENSIONS ARE IN INCHES		DRAWN		TITLE: I-Beam Jamb and Header
		TOLERANCES:		CHECKED		
		FRACTIONAL: ±		ENG APPR.		
		ANGULAR: MACH ± BEND ±		MFG APPR.		
		TWO PLACE DECIMAL ±		Q.A.		
		THREE PLACE DECIMAL ±		COMMENTS:		
		INTERPRET GEOMETRIC TOLERANCING PER: ASME Y14. 5-2009				SIZE
		MATERIAL				Door Type(s)
		ASTM A36, ASTM A500B				JuniorPlus
		FINISH				REV
						A
		NEXT ASSY				
		USED ON				
		APPLICATION				
						SCALE: 1:25
						WEIGHT: 2119.23
						SHEET 1 OF 3

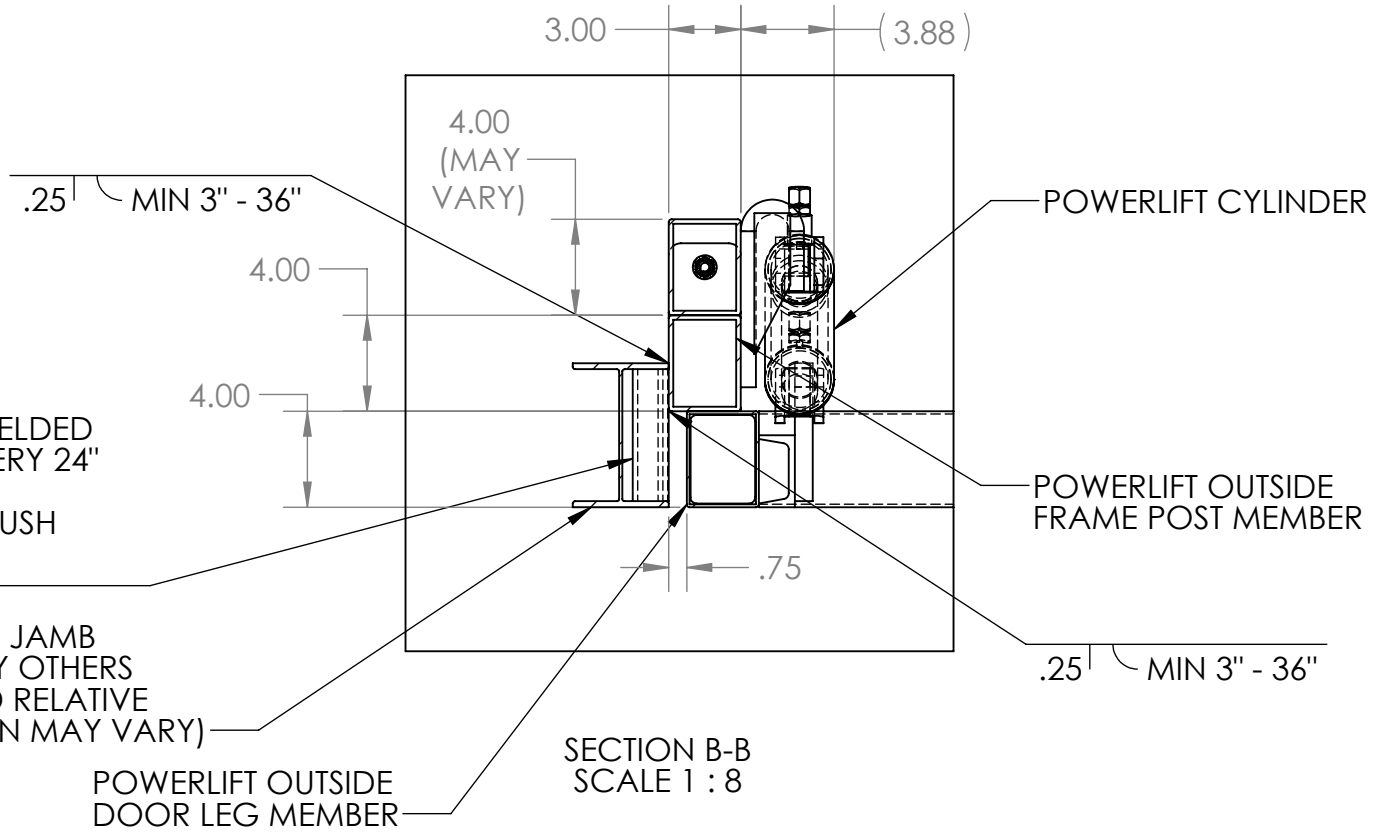
Monday, September 12, 2022 2:58:01 PM

POWERLIFT JUNIORPLUS JAMB DETAIL (I-BEAM BUILDING JAMB MEMBER)



B

B



PROPRIETARY AND CONFIDENTIAL

THE INFORMATION CONTAINED IN THIS DRAWING IS THE SOLE PROPERTY OF POWERLIFT DOORS. ANY REPRODUCTION IN PART OR AS A WHOLE WITHOUT THE WRITTEN PERMISSION OF POWERLIFT DOORS IS PROHIBITED.



		UNLESS OTHERWISE SPECIFIED:	NAME	DATE	Part Number
		DIMENSIONS ARE IN INCHES	DRAWN		
		TOLERANCES:	CHECKED		
		FRACTIONAL ±	ENG APPR.		
		ANGULAR: MACH ± BEND ±	MFG APPR.		
		TWO PLACE DECIMAL ±	Q.A.		
		THREE PLACE DECIMAL ±	COMMENTS:		
		INTERPRET GEOMETRIC TOLERANCING PER: ASME Y14. 5-2009			
		MATERIAL			
		ASTM A36, ASTM A500B			
		FINISH			
NEXT ASSY	USED ON				
APPLICATION		DO NOT SCALE DRAWING			

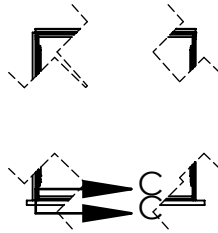
TITLE:		
I-Beam Jamb and Header		
SIZE	Door Type(s)	REV
A	JuniorPlus	A
SCALE: 1:25 WEIGHT: 2119.23 SHEET 2 OF 3		

A

A

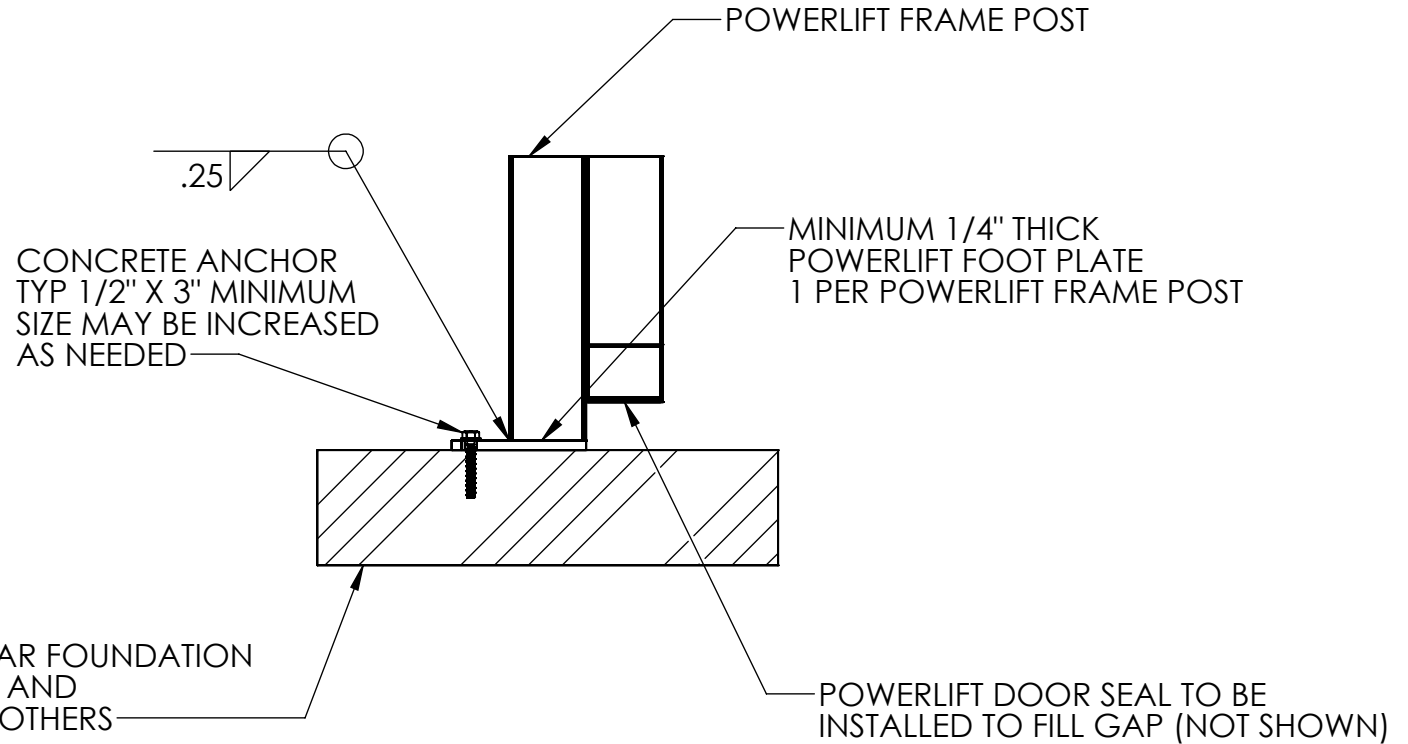
Monday, September 12, 2022 2:58:01 PM

POWERLIFT JUNIORPLUS SILL DETAIL



B

B



A

A

PROPRIETARY AND CONFIDENTIAL

THE INFORMATION CONTAINED
IN THIS DRAWING IS THE SOLE
PROPERTY OF POWERLIFT
DOORS. ANY REPRODUCTION
IN PART OR AS A WHOLE
WITHOUT THE WRITTEN
PERMISSION OF POWERLIFT
DOORS IS PROHIBITED.



		UNLESS OTHERWISE SPECIFIED:		NAME	DATE	Part Number
		DIMENSIONS ARE IN INCHES		DRAWN		TITLE: I-Beam Jamb and Header
		TOLERANCES:		CHECKED		
		FRACTIONAL ±		ENG APPR.		
		ANGULAR: MACH ± BEND ±		MFG APPR.		
		TWO PLACE DECIMAL ±		Q.A.		
		THREE PLACE DECIMAL ±		COMMENTS:		SIZE
		INTERPRET GEOMETRIC TOLERANCING PER: ASME Y14. 5-2009				Door Type(s)
		MATERIAL				JuniorPlus
		ASTM A36, ASTM A500B				REV
		FINISH				A
	NEXT ASSY	USED ON				SCALE: 1:25
	APPLICATION		DO NOT SCALE DRAWING			WEIGHT: 2119.23 SHEET 3 OF 3